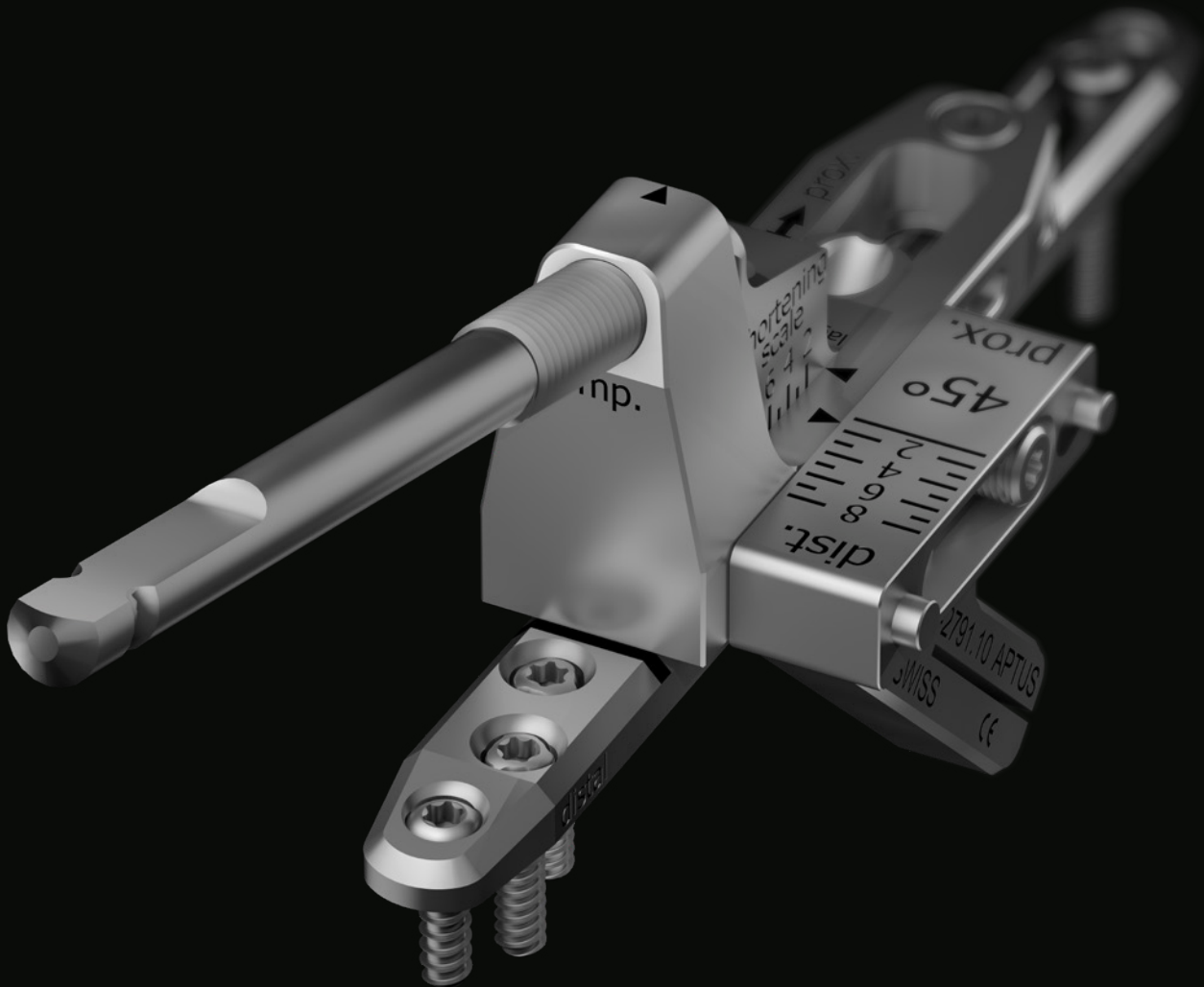


medartis

PRECISION IN FIXATION

PRODUCT INFORMATION

# Ulna Shortening System 2.5



**APTUS** Wrist

# Ulna Shortening System 2.5

Osteotomies with angular stable plating and guided, rotation-proof compression

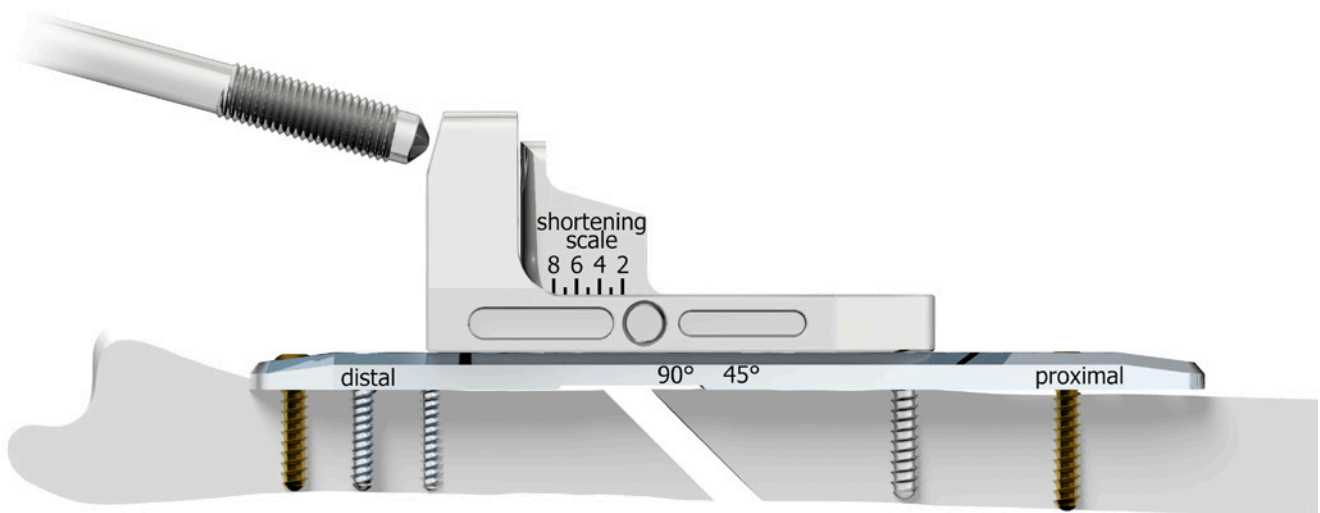
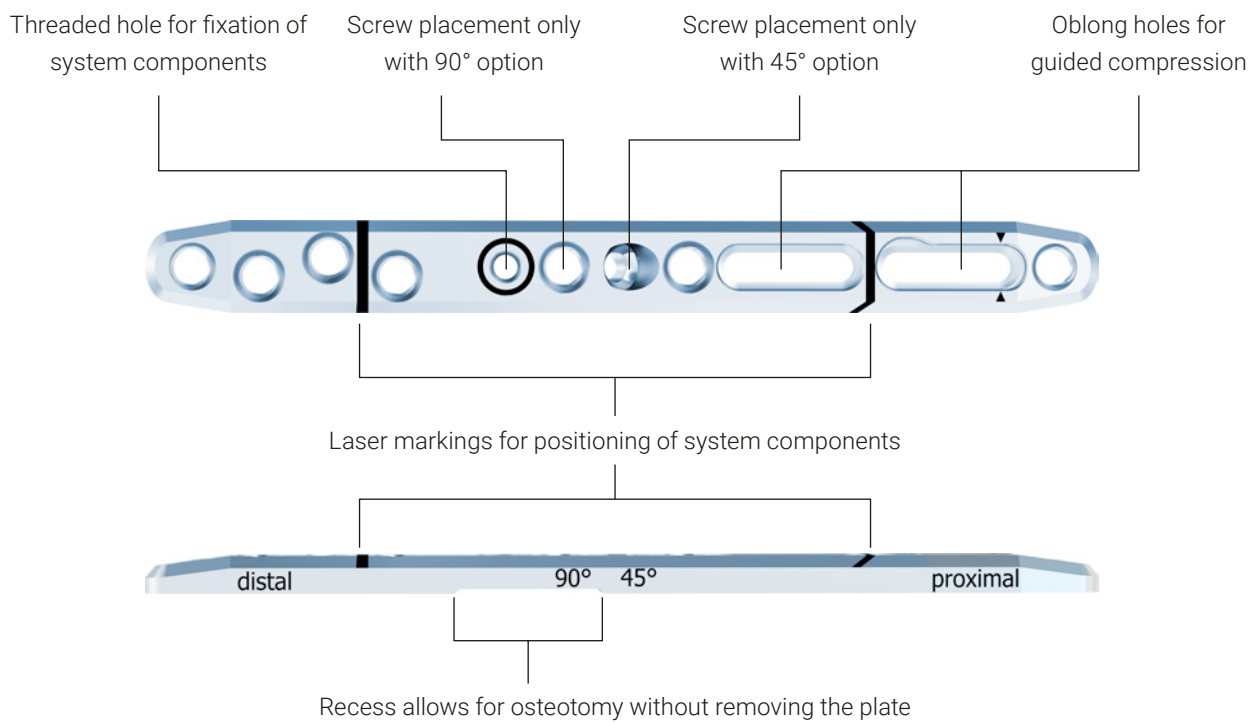
## System Features

- Osteotomies can be performed with either a 45° or 90° angle
- Chamfered edges and a smooth surface for soft tissue protection
- TriLock – multidirectional ( $\pm 15^\circ$ ) and angular stable locking technology
- Compatible with the screws and instruments of the APTUS Distal Radius System 2.5

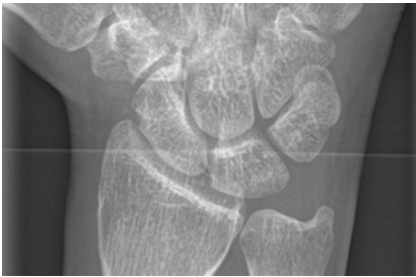


## Clinical Benefits

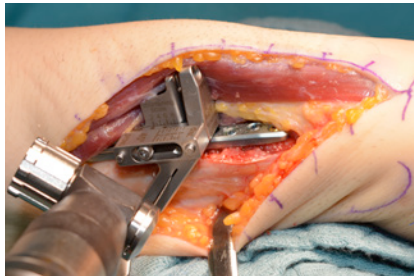
- Rotation-proof and guided compression
- Finely adjustable saw guide (2-8 mm) for precise and parallel osteotomies
- Controlled compression is generated and maintained by means of the spindle
- Recess on the plate allows for osteotomy with fixed plate
- Low plate profile of 3.2 mm



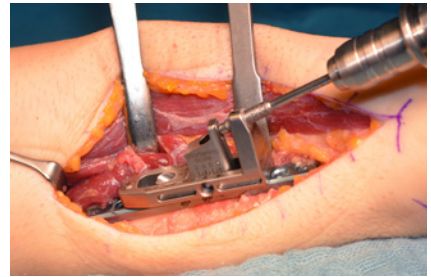
### Clinical Case with 45° Osteotomy



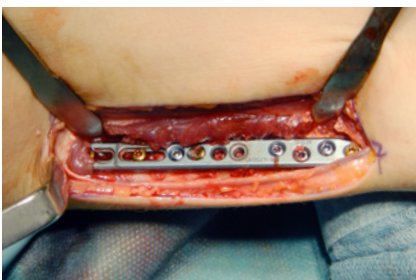
Ulna impaction syndrome



The saw guide allows for 45° osteotomy with the plate in position



Guided, rotation-proof compression of the osteotomy gap by means of the spindle



Fixed plate after compression

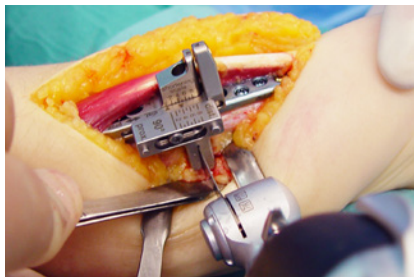


X-ray control, seven months postoperative with completed restoration of the bone

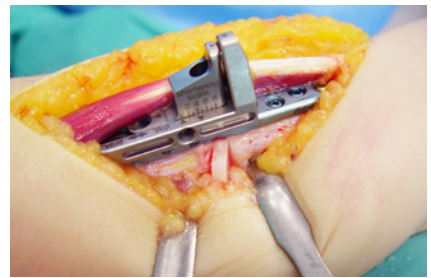
### Clinical Case with 90° Osteotomy



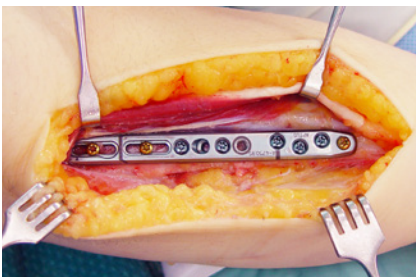
Ulna impaction syndrome



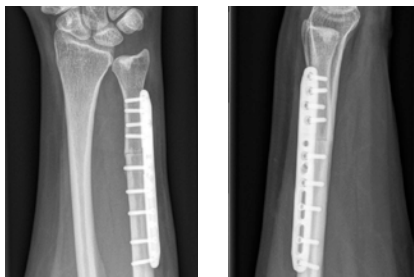
The saw guide allows for 90° osteotomy with the plate in position



Removal of the bone wafer



Fixed plate after compression



Postoperative X-ray

Clinical cases published with the kind permission of:  
45° osteotomy: M. Sauerbier, Frankfurt, Germany | 90° osteotomy: J. Grünert, St. Gallen, Switzerland

R\_WRIST-10000021\_v0 / © 2021-03, Medartis AG, Switzerland. All technical data subject to alteration.

#### **MANUFACTURER & HEADQUARTERS**

Medartis AG | Hochbergerstrasse 60E | 4057 Basel / Switzerland  
P +41 61 633 34 34 | F +41 61 633 34 00 | [www.medartis.com](http://www.medartis.com)

#### **SUBSIDIARIES**

Australia | Austria | Brazil | China | France | Germany | Japan | Mexico | New Zealand | Poland | Spain | UK | USA

For detailed information regarding our subsidiaries and distributors, please visit [www.medartis.com](http://www.medartis.com)

**CE**  
0197

**CE**

Disclaimer: This information is intended to demonstrate the Medartis portfolio of medical devices. A surgeon must always rely on her or his own professional clinical judgement when deciding whether to use a particular product when treating a particular patient. Medartis is not giving any medical advice. The devices may not be available in all countries due to registration and / or medical practices. For further questions, please contact your Medartis representative ([www.medartis.com](http://www.medartis.com)). This information contains CE-marked products.  
For US only: Federal law restricts this device to sale by or on the order of a physician.