

medartis®

PRECISION IN FIXATION

PRODUCT INFORMATION

# MODUS® 2 Transbuccal Set



# MODUS®

# The MODUS 2 Transbuccal Set

## Transbuccal Approach to Drilling and Screw Insertion

### Compatibility

The MODUS 2 Transbuccal Set is compatible with MODUS 2 Mandible and MODUS 2 Orthognathics.

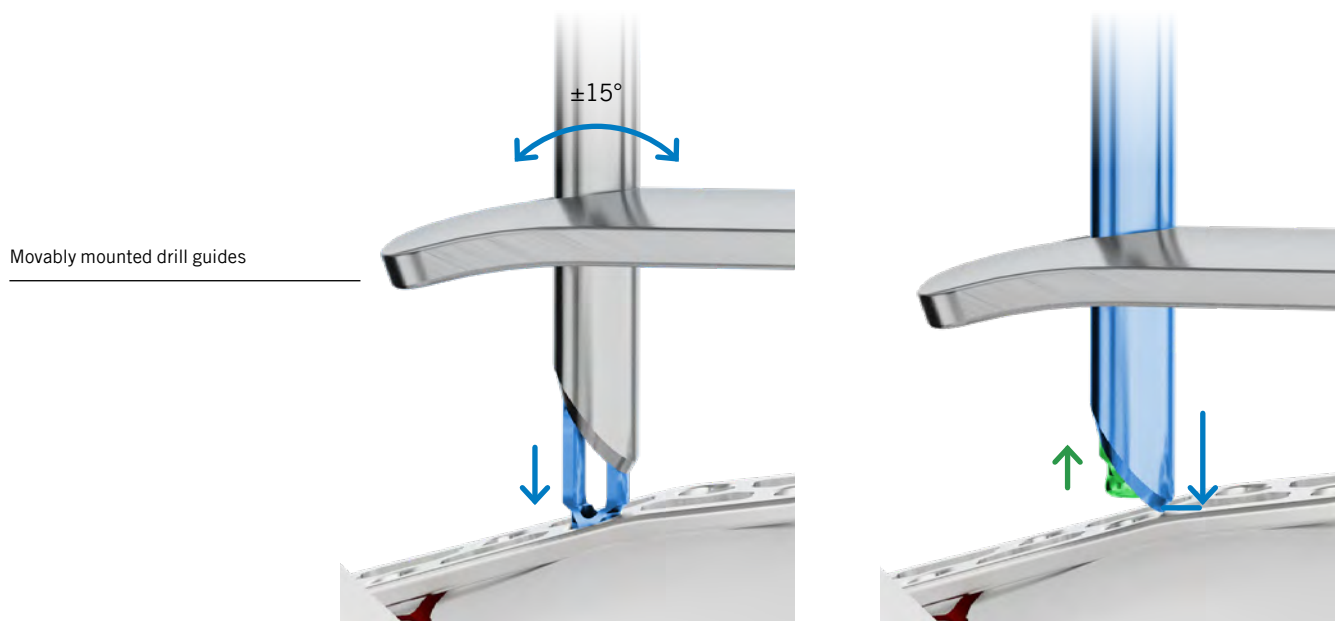
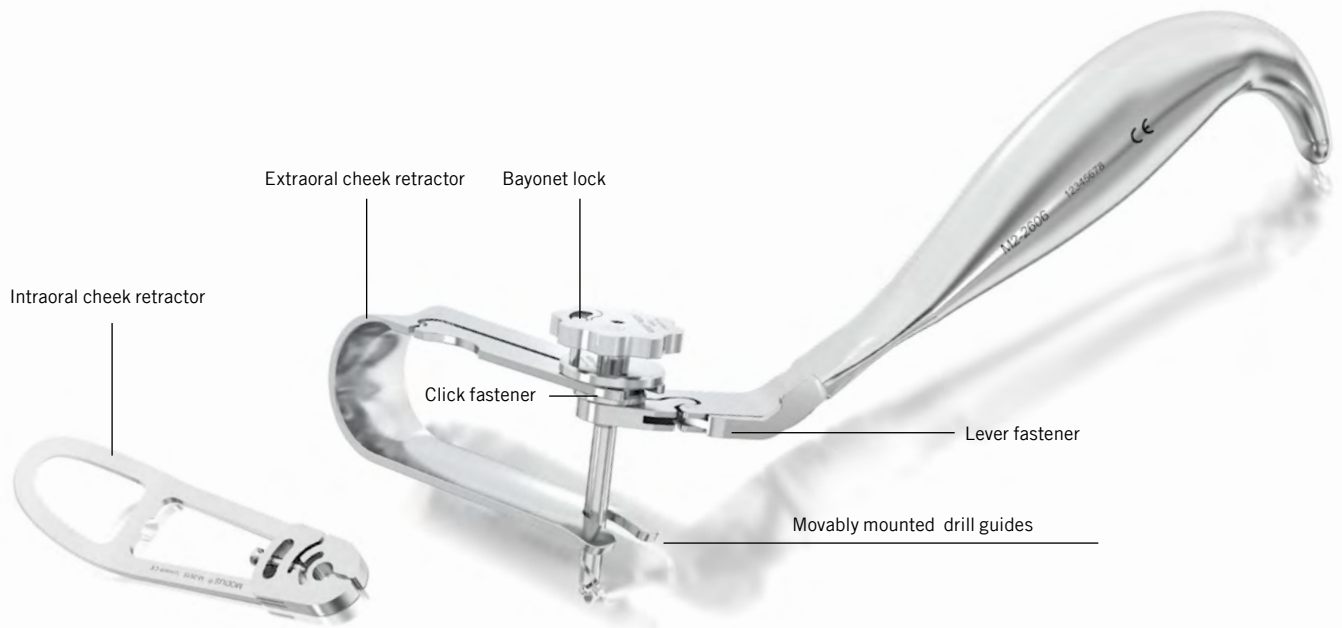
### Areas of Use

- Transbuccal access for osteosynthesis on the mandibular angle, ascending ramus and condyle
- Transbuccal screw removal



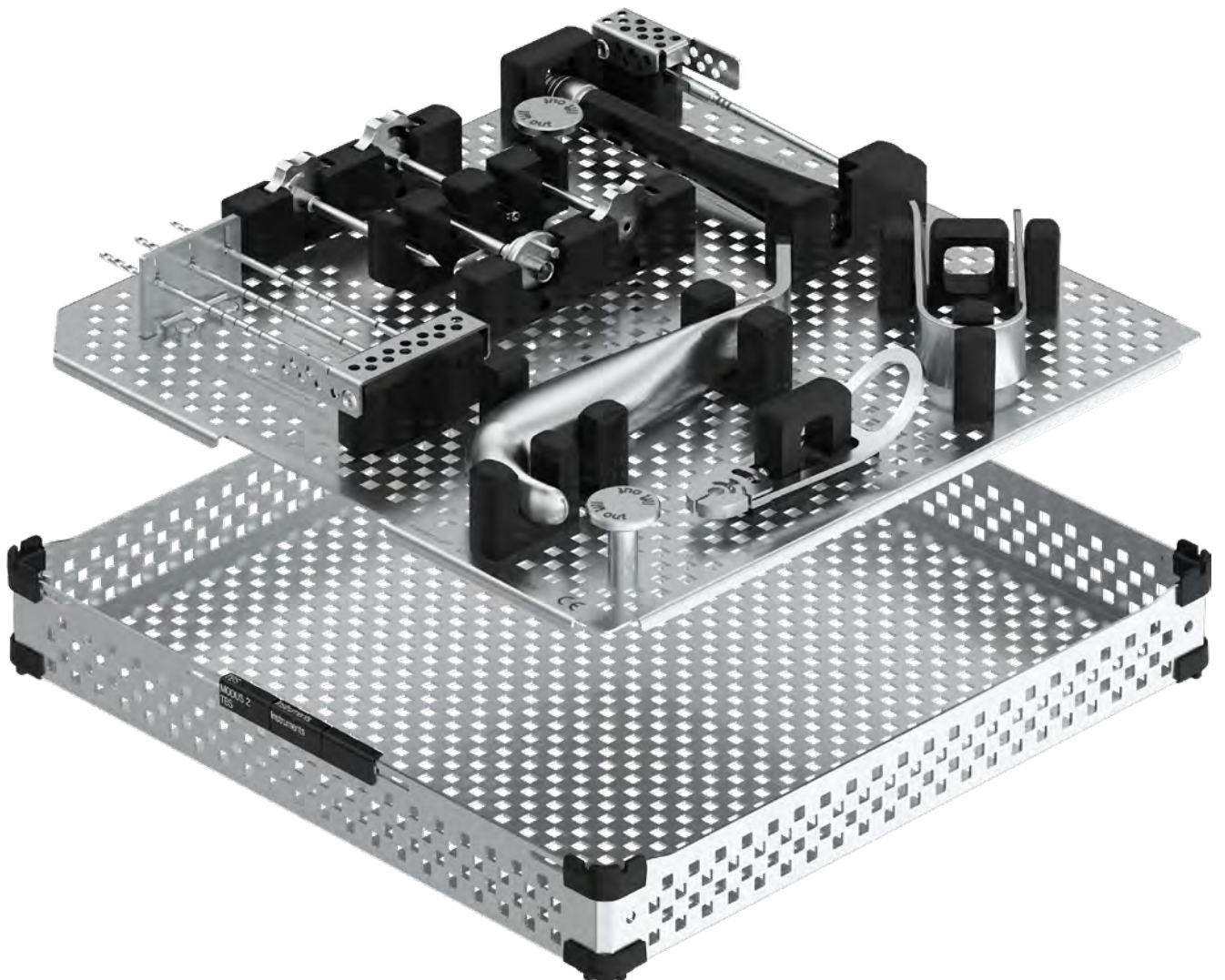
## Features

- Intraoral and extraoral cheek retractors
- Lever fastener, bayonet lock and click fastener
- Movably mounted drill guides allow constant pressure to be applied to the implant



# Storage

- Compact, clearly arranged system
- Easy to use
- User-friendly storage of instruments



# Ordering Information

## Handle for Transbuccal Trocar and Drill Guide



Art. No.	Length	Pieces/Pkg.
M-2606	147mm	1

## Cheek Retractor



Art. No.	Description	Length	Pieces/Pkg.
M-2614	extraoral	166 mm	1
M-2615	intraoral	83 mm	1

## Screwdriver Handle



Art. No.	Description	Length	Pieces/Pkg.
M2-2001	type 2 (hand-driven small, AO coupling)	121 mm	1

## Screwdriver Blade



Art. No.	Interface	Description	Length	Pieces/Pkg.
M2-2005	HD6	self-holding	95 mm	1

## Protection Sleeve



Art. No.	Description	Length	Pieces/Pkg.
M-2620	for M-2606	48 mm	1

## Trocar



Art. No.	Description	Length	Pieces/Pkg.
M-2626	for M-2620	60 mm	1

## Drill Guides



M-2630



M-2632

Art. No.	Size	Description	Length	Pieces/Pkg.
M-2630	2.0 – 2.5		54 mm	1
M-2632	2.0 – 2.5	for TriLock plates	54 mm	1

## Twist Drills Ø 1.5 mm (Core Hole 2.0 Screws)



M2-3459



M2-3469

Art. No.	Stop	Length	Shaft End	Pieces/Pkg.
M2-3459	25 mm	99 mm	Dental	1
M2-3469	25 mm	112 mm	Stryker J-Latch	1

## Twist Drills Ø 1.9 mm (Core Hole 2.3 Screws)



M2-3216



M2-3226

Art. No.	Stop	Length	Shaft End	Pieces/Pkg.
M2-3216	25 mm	99 mm	Dental	1
M2-3226	25 mm	112 mm	Stryker J-Latch	1

## Twist Drills Ø 2.0 mm (Core Hole 2.5 Screws)



M2-3276



M2-3286

Art. No.	Stop	Length	Shaft End	Pieces/Pkg.
M2-3276	25 mm	99 mm	Dental	1
M2-3286	25 mm	112 mm	Stryker J-Latch	1

MANDIBLE2-01000001\_v0 / © 2020-07, Medartis AG, Switzerland. All technical data subject to alteration.

#### MANUFACTURER & HEADQUARTERS

Medartis AG | Hochbergerstrasse 60E | 4057 Basel/Switzerland  
P +41 61 633 34 34 | F +41 61 633 34 00 | [www.medartis.com](http://www.medartis.com)

#### SUBSIDIARIES

Australia | Austria | Brazil | France | Germany | Japan | Mexico | New Zealand | Poland | UK | USA

For detailed information regarding our subsidiaries and distributors, please visit [www.medartis.com](http://www.medartis.com)



Disclaimer: This information is intended to demonstrate the Medartis portfolio of medical devices. A surgeon must always rely on her or his own professional clinical judgement when deciding whether to use a particular product when treating a particular patient. Medartis is not giving any medical advice. The devices may not be available in all countries due to registration and/or medical practices. For further questions, please contact your Medartis representative ([www.medartis.com](http://www.medartis.com)). This information contains CE-marked products.  
For US only: Federal law restricts this device to sale by or on the order of a physician